

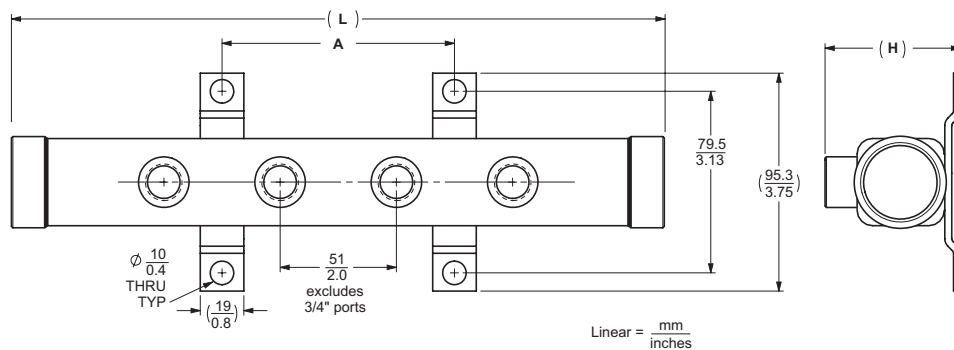
Stainless Steel Manifolds with Conventional Ports

Model Numbers and Dimensions (3/8" & 1/2" ports only)

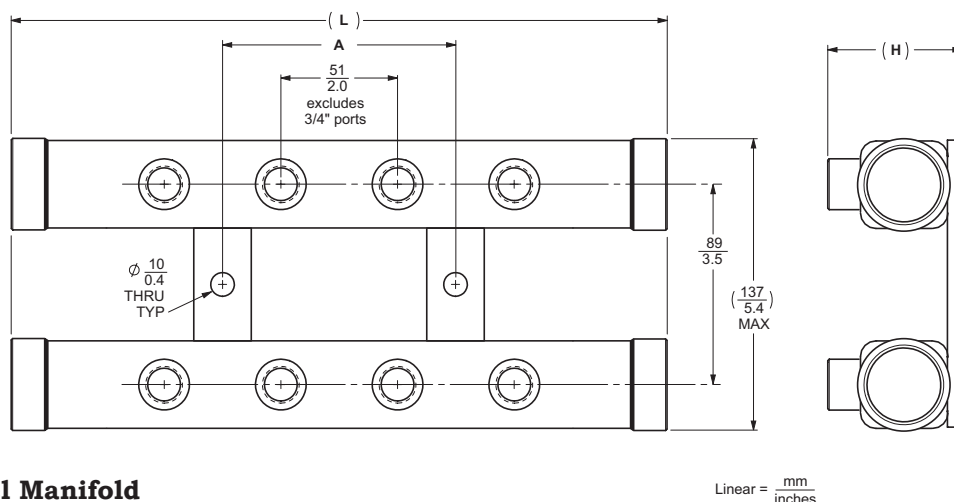
	Single Manifolds	Parallel Manifolds	Dimension A	Dimension L	Dimension H
1" Inlet	8SS - 4 - □ - 2 - A	8PSS - 8 - □ - 2 - A	102mm / 4"	295mm / 11.62"	64mm 2.5"max.
	8SS - 6 - □ - 2 - A	8PSS - 12 - □ - 2 - A	203mm / 8"	397mm / 15.62"	
	8SS - 8 - □ - 2 - A	8PSS - 16 - □ - 2 - A	305mm / 12"	498mm / 19.62"	
	8SS - 10 - □ - 2 - A	8PSS - 20 - □ - 2 - A	406mm / 16"	600mm / 23.62"	
	8SS - 12 - □ - 2 - A	8PSS - 24 - □ - 2 - A	508mm / 20"	702mm / 27.62"	
	8SS - 14 - □ - 2 - A	8PSS - 28 - □ - 2 - A	610mm / 24"	803mm / 31.62"	
	8SS - 16 - □ - 2 - A	8PSS - 32 - □ - 2 - A	711mm / 28"	905mm / 35.62"	
1-1/2" Inlet	12SS - 4 - □ - 2 - A	12PSS - 8 - □ - 2 - A	102mm / 4"	308mm / 12.13"	76mm 3"max.
	12SS - 6 - □ - 2 - A	12PSS - 12 - □ - 2 - A	203mm / 8"	410mm / 16.13"	
	12SS - 8 - □ - 2 - A	12PSS - 16 - □ - 2 - A	305mm / 12"	511mm / 20.13"	
	12SS - 10 - □ - 2 - A	12PSS - 20 - □ - 2 - A	406mm / 16"	613mm / 24.13"	
	12SS - 12 - □ - 2 - A	12PSS - 24 - □ - 2 - A	508mm / 20"	715mm / 28.13"	
	12SS - 14 - □ - 2 - A	12PSS - 28 - □ - 2 - A	610mm / 24"	816mm / 32.13"	
	12SS - 16 - □ - 2 - A	12PSS - 32 - □ - 2 - A	711mm / 28"	918mm / 36.13"	

□ = port thread size [3 = 3/8"NPT(F) or 4 = 1/2"NPT(F)]

3/4" ports require special consideration. Contact the factory for dimensions.



Single Manifold

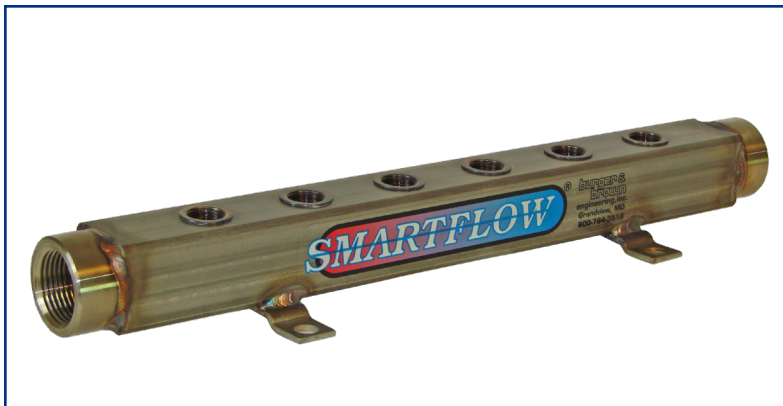


Parallel Manifold

Dimensions shown are for manifolds with NPT threads only. Contact the factory for manifold dimensions with BSPP threads.



Stainless Steel Manifolds with Low Profile Ports (NPT only)



Specifications

Material..... 304 Stainless Steel
 Temperature Rating up to 250°F (121°C)
Maximum Working Pressure Ratings
 Gas (air, inert gas)..... 125 psi
 Liquid (oil, water, benign fluids)..... 250 psi

General Description

Smartflow stainless steel manifolds are formed and welded from 304 stainless steel. The manifolds are 100% leak tested for quality assurance before shipping. Stainless steel manifolds with low profile ports offer an economical alternative to our conventional port manifolds.

Smartflow stainless steel manifolds are excellent for high-flow applications where chemical compatibility and corrosion-resistance are important. Manifold bodies are made from 1-1/2" or 2" square tube to allow maximum flow. Custom modifications are easily handled to provide the exact configuration you need.



Assembly

Smartflow stainless steel manifolds are the platform for control of cooling water lines in many types of industrial process cooling. Flowmeters, Flow Regulators, Ball Valves, Quick Disconnect Fittings and more can be added to the manifolds to improve functionality and process control. See page 12 for ordering information.

Flowmeters and flow regulators are customarily assembled onto one side of parallel manifolds with flow direction into the return side of the manifold.

Model Number

	8	SL	-	16	-	2	-	2	-	A
Supply Threads										Port Sizes
1"NPT	8									3 3/8"NPT
1-1/2"NPT	12									4 1/2"NPT
Manifold Styles										Total Number of Ports
Single		SL				4				
Parallel		PSL				to 32				

Manifold Builder

On-Line Part Number Specification Assistance

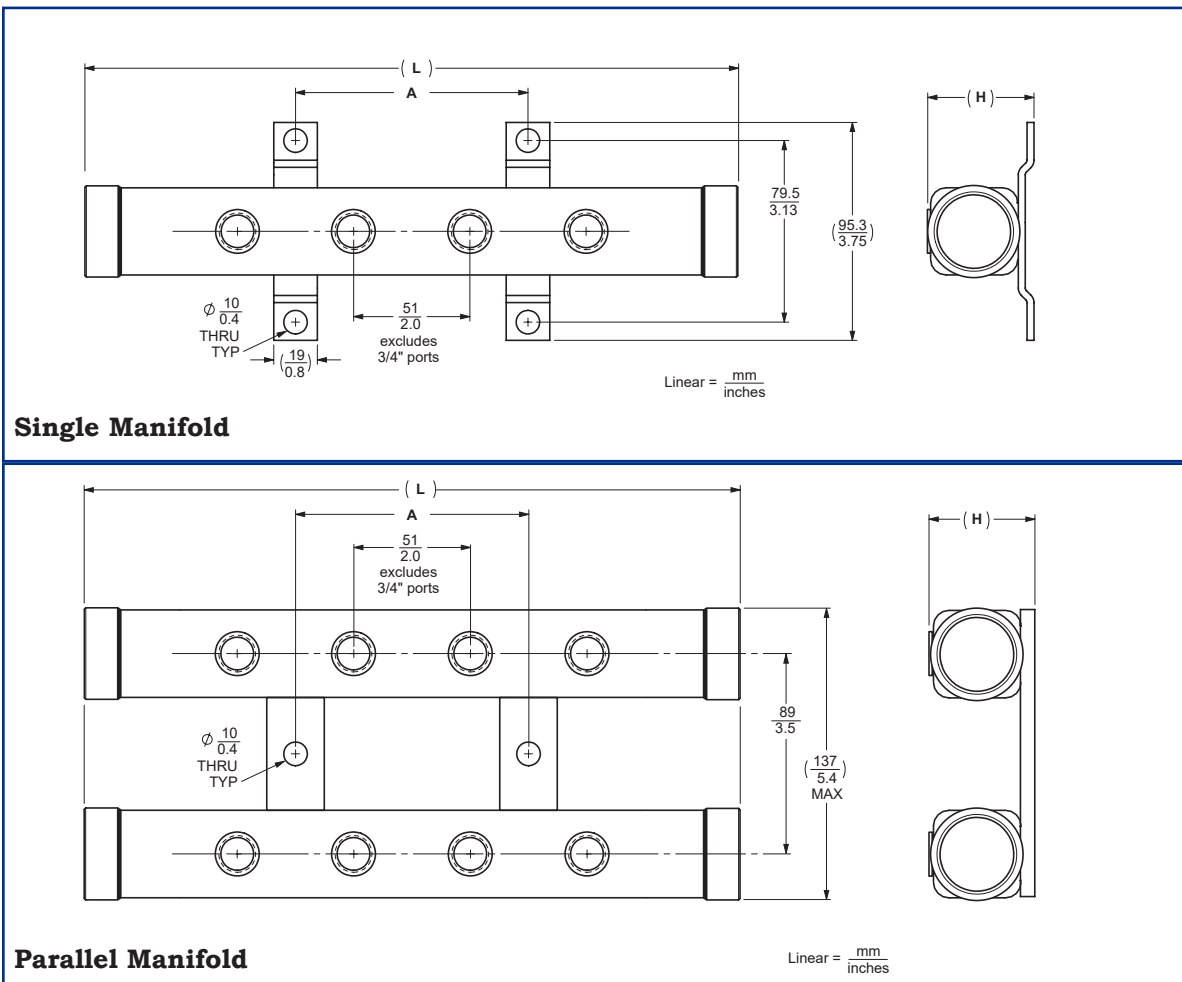
3D Native CAD files for manifolds and assemblies are available for download 24/7 at

Design and specifications are subject to change without notice.

SMARTFLOW[®] Stainless Steel Manifolds with Low Profile Ports (NPT only)

Model Numbers and Dimensions (3/8" & 1/2" ports only)					
	Single Manifolds	Parallel Manifolds	Dimension A	Dimension L	Dimension H
1" Inlet	8SL - 4 - □ - 2 - A	8PSL - 8 - □ - 2 - A	102mm / 4"	295mm / 11.62"	51mm 2"max.
	8SL - 6 - □ - 2 - A	8PSL - 12 - □ - 2 - A	203mm / 8"	397mm / 15.62"	
	8SL - 8 - □ - 2 - A	8PSL - 16 - □ - 2 - A	305mm / 12"	498mm / 19.62"	
	8SL - 10 - □ - 2 - A	8PSL - 20 - □ - 2 - A	406mm / 16"	600mm / 23.62"	
	8SL - 12 - □ - 2 - A	8PSL - 24 - □ - 2 - A	508mm / 20"	702mm / 27.62"	
	8SL - 14 - □ - 2 - A	8PSL - 28 - □ - 2 - A	610mm / 24"	803mm / 31.62"	
	8SL - 16 - □ - 2 - A	8PSL - 32 - □ - 2 - A	711mm / 28"	905mm / 35.62"	
1-1/2" Inlet	12SL - 4 - □ - 2 - A	12PSL - 8 - □ - 2 - A	102mm / 4"	308mm / 12.13"	64mm 2.5"max.
	12SL - 6 - □ - 2 - A	12PSL - 12 - □ - 2 - A	203mm / 8"	410mm / 16.13"	
	12SL - 8 - □ - 2 - A	12PSL - 16 - □ - 2 - A	305mm / 12"	511mm / 20.13"	
	12SL - 10 - □ - 2 - A	12PSL - 20 - □ - 2 - A	406mm / 16"	613mm / 24.13"	
	12SL - 12 - □ - 2 - A	12PSL - 24 - □ - 2 - A	508mm / 20"	715mm / 28.13"	
	12SL - 14 - □ - 2 - A	12PSL - 28 - □ - 2 - A	610mm / 24"	816mm / 32.13"	
	12SL - 16 - □ - 2 - A	12PSL - 32 - □ - 2 - A	711mm / 28"	918mm / 36.13"	

□ = port thread size [3 = 3/8"NPT(F) or 4 = 1/2"NPT(F)]





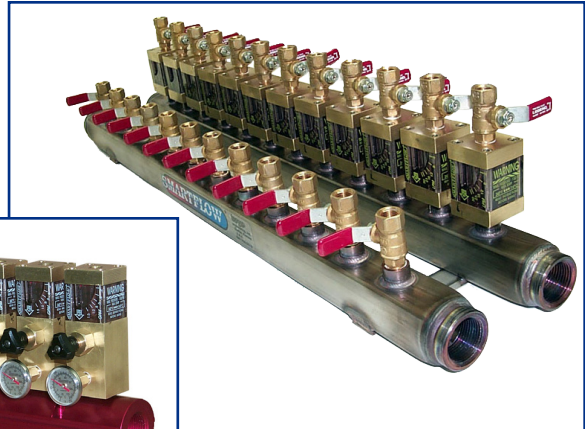
Aluminum and Stainless Steel Manifold Assemblies

Assembly Specification

The Smartflow manifold line is the platform to control and direct cooling water in many types of industrial process cooling. Flowmeters, Flow Regulators, Ball Valves, Quick Disconnect Fittings and more can be added to manifolds to improve functionality and process control. Individual cooling lines can be accurately controlled according to the demands of each circuit.

Parallel Stainless Steel Manifold Assemblies are built with flowmeters on one half of the manifold pair only. Contact the factory if alternate configuration is needed.

Burger & Brown Engineering recommends placing flowmeters and regulators on the return side of the cooling loop for best performance.



Model Number

Manifold P/N **8SA - 8 - 3 - 2 - Y - F3-A-80 - B3Q3 - R**

Aluminum or Stainless Steel Manifold Model Number from Pages 4 - 11

Function

- R** Return fluid flow entering the manifold (default)
- S** Supply fluid flow exiting the manifold

*Flowmeter/Regulator installed on each port of the manifold

- | | |
|---|------------|
| No additional flowmeter/regulator | NA |
| Mechanical Flowmeter | F |
| Brass Flow Regulator | FR |
| Delta-Q Precision Flow Regulator | F-Q |
| Tracer® Electronic Flowmeter | DD |
| Tracer _{VM} Electronic Flowmeter | VM |

*Consult Flowmeter Catalog Form #189 and Catalog Form #190

Connection Type Brass Valves and Fittings

- NA** No additional valve or fitting
- B2** Ball Valve 1/4"NPT
- B3** Ball Valve 3/8"NPT
- B4** Ball Valve 1/2"NPT
- H2** Hose Barb 1/4"ID Hose
- H3** Hose Barb 3/8"ID Hose
- H4** Hose Barb 1/2"ID Hose
- Q2** Quick Connect Plug 1/4"ID (200 Series)
- Q3** Quick Connect Plug 3/8"ID (300 Series)
- Q4** Quick Connect Plug 1/2"ID (500 Series)

ManifoldBuilder

On-Line Part Number Specification Assistance

3D Native CAD files for manifolds and assemblies are available for download 24/7